

### Resistor LEDs for 5 V Supply Voltage

Color	Type	Technology	Angle of half intensity $\pm\varphi$
Red	TLRR5450	GaAsP on GaAs	30°
High efficiency red	TLRH5450	GaAsP on GaP	
Yellow	TLRY5450	GaAsP on GaP	
Green	TLRG5450	GaP on GaP	

### Description

These devices are developed for applications with 5 V sources.

The TLR.545. series contains an integrated resistor for current limiting in series with the LED chip. This allows the lamp to be driven from a 5 V source without an external current limiter.

Available colors are red, high efficiency red, yellow and green. The luminous intensity of such an LED is measured at constant voltage of 5 V.

These tinted diffused lamps provide a wide off-axis viewing angle.

These LEDs are intended for space critical applications such as portable sets, switches and others which are driven from a 5 V source.

### Features

- With current limiting resistor for 5 V
- TTL compatible
- Cost effective: save space and resistor cost
- Standard  $\varnothing$  5 mm (T-1 $\frac{3}{4}$ ) package
- Wide viewing angle
- Choice of four bright colors
- Luminous intensity categorized
- Yellow and green color categorized
- Luminous intensity and color are measured at 5 V

### Applications

Status lights in portable applications

Status lights in space constrained applications

Background illumination for switches with 5 V source

Off/On indicator in switches with 5 V source

## TLR.545.

### Absolute Maximum Ratings

$T_{amb} = 25^{\circ}\text{C}$ , unless otherwise specified

**TLRR5450 ,TLRH5450 ,TLRY5450 ,TLRG5450**

Parameter	Test Conditions	Type	Symbol	Value	Unit
Reverse voltage			$V_R$	6	V
Forward voltage	$T_{amb} \leq 65^{\circ}\text{C}$		$V_F$	7.5	V
Power dissipation	$T_{amb} \leq 65^{\circ}\text{C}$		$P_V$	240	mW
Junction temperature			$T_j$	100	$^{\circ}\text{C}$
Storage temperature range			$T_{stg}$	-55 to +100	$^{\circ}\text{C}$
Soldering temperature	$t \leq 5 \text{ s}$ , 2 mm from body		$T_{sd}$	260	$^{\circ}\text{C}$
Thermal resistance junction/ambient			$R_{thJA}$	150	K/W

### Optical and Electrical Characteristics

$T_{amb} = 25^{\circ}\text{C}$ , unless otherwise specified

**Red (TLRR5450)**

Parameter	Test Conditions	Type	Symbol	Min	Typ	Max	Unit
Luminous intensity	$V_F = 5 \text{ V}$		$I_V$	0.4	0.8		mcd
Dominant wavelength	$V_F = 5 \text{ V}$		$\lambda_d$		645		nm
Peak wavelength	$V_F = 5 \text{ V}$		$\lambda_p$		660		nm
Angle of half intensity	$V_F = 5 \text{ V}$		$\phi$		$\pm 30$		deg
Forward current	$V_S = 5 \text{ V}$		$I_F$		10	15	mA
Breakdown voltage	$I_R = 10 \mu\text{A}$		$V_{BR}$	6	20		V
Junction capacitance	$V_R = 0$ , $f = 1 \text{ MHz}$		$C_j$		50		pF

**High efficiency red (TLRH5450)**

Parameter	Test Conditions	Type	Symbol	Min	Typ	Max	Unit
Luminous intensity	$V_F = 5 \text{ V}$		$I_V$	1.6	4		mcd
Dominant wavelength	$V_F = 5 \text{ V}$		$\lambda_d$	612		625	nm
Peak wavelength	$V_F = 5 \text{ V}$		$\lambda_p$		635		nm
Angle of half intensity	$V_F = 5 \text{ V}$		$\phi$		$\pm 30$		deg
Forward current	$V_S = 5 \text{ V}$		$I_F$		10	15	mA
Breakdown voltage	$I_R = 10 \mu\text{A}$		$V_{BR}$	6	20		V
Junction capacitance	$V_R = 0$ , $f = 1 \text{ MHz}$		$C_j$		50		pF

### Yellow (TLRY5450)

Parameter	Test Conditions	Type	Symbol	Min	Typ	Max	Unit
Luminous intensity	$V_F = 5 \text{ V}$		$I_V$	1.6	4		mcd
Dominant wavelength	$V_F = 5 \text{ V}$		$\lambda_d$	581		594	nm
Peak wavelength	$V_F = 5 \text{ V}$		$\lambda_p$		585		nm
Angle of half intensity	$V_F = 5 \text{ V}$		$\varphi$		$\pm 30$		deg
Forward current	$V_S = 5 \text{ V}$		$I_F$		10	15	mA
Breakdown voltage	$I_R = 10 \mu\text{A}$		$V_{BR}$	6	20		V
Junction capacitance	$V_R = 0, f = 1 \text{ MHz}$		$C_j$		50		pF

### Green (TLRG5450)

Parameter	Test Conditions	Type	Symbol	Min	Typ	Max	Unit
Luminous intensity	$V_F = 5 \text{ V}$		$I_V$	1.6	4		mcd
Dominant wavelength	$V_F = 5 \text{ V}$		$\lambda_d$	562		575	nm
Peak wavelength	$V_F = 5 \text{ V}$		$\lambda_p$		565		nm
Angle of half intensity	$V_F = 5 \text{ V}$		$\varphi$		$\pm 30$		deg
Forward current	$V_S = 5 \text{ V}$		$I_F$		10	15	mA
Breakdown voltage	$I_R = 10 \mu\text{A}$		$V_{BR}$	6	20		V
Junction capacitance	$V_R = 0, f = 1 \text{ MHz}$		$C_j$		50		pF

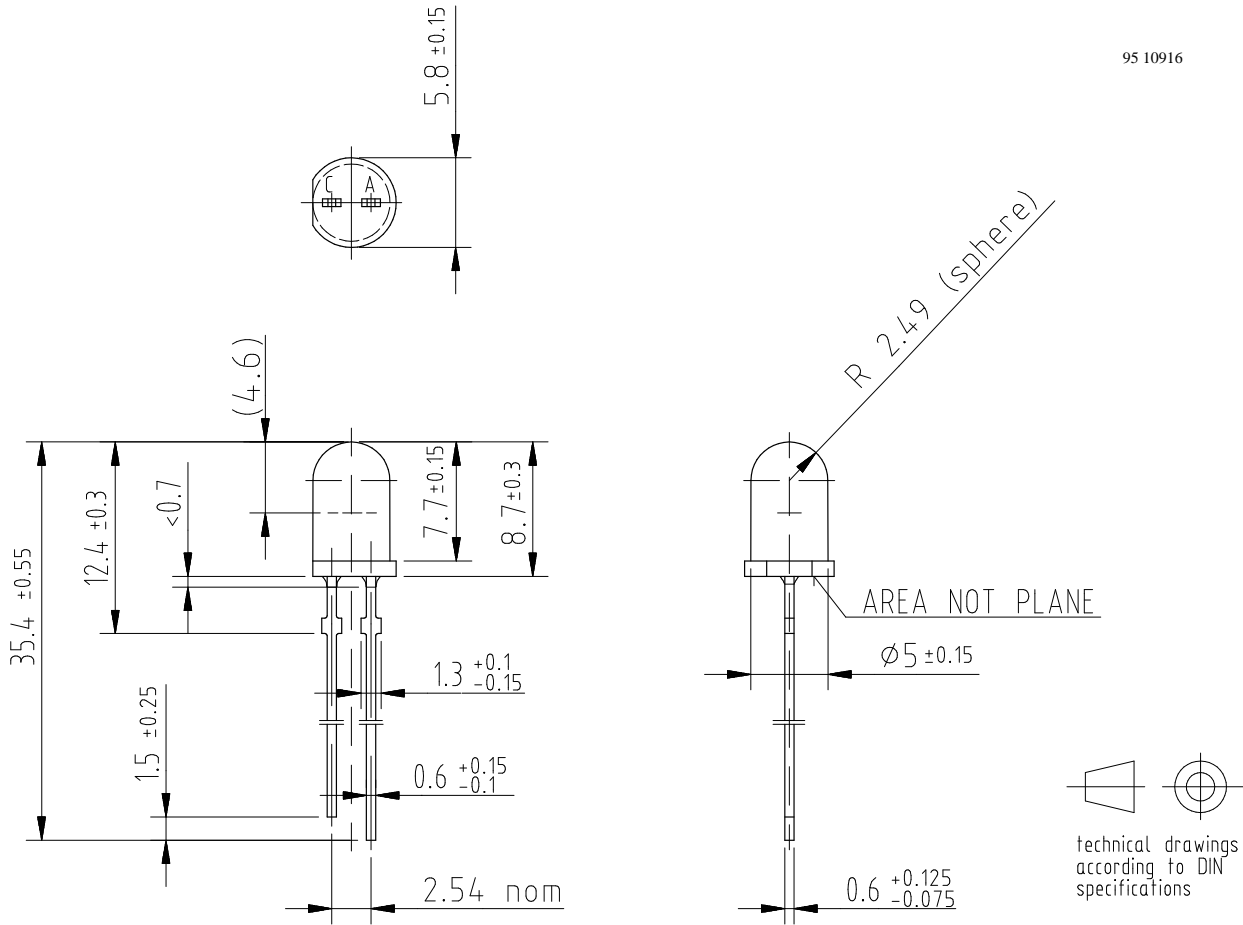
# TLR.545.

# TEMIC

TELEFUNKEN Semiconductors

## Dimensions in mm

95 10916



## Ozone Depleting Substances Policy Statement

It is the policy of **TEMIC TELEFUNKEN microelectronic GmbH** to

1. Meet all present and future national and international statutory requirements.
2. Regularly and continuously improve the performance of our products, processes, distribution and operating systems with respect to their impact on the health and safety of our employees and the public, as well as their impact on the environment.

It is particular concern to control or eliminate releases of those substances into the atmosphere which are known as ozone depleting substances (ODSs).

The Montreal Protocol (1987) and its London Amendments (1990) intend to severely restrict the use of ODSs and forbid their use within the next ten years. Various national and international initiatives are pressing for an earlier ban on these substances.

**TEMIC TELEFUNKEN microelectronic GmbH** semiconductor division has been able to use its policy of continuous improvements to eliminate the use of ODSs listed in the following documents.

1. Annex A, B and list of transitional substances of the Montreal Protocol and the London Amendments respectively
2. Class I and II ozone depleting substances in the Clean Air Act Amendments of 1990 by the Environmental Protection Agency (EPA) in the USA
3. Council Decision 88/540/EEC and 91/690/EEC Annex A, B and C (transitional substances) respectively.

**TEMIC** can certify that our semiconductors are not manufactured with ozone depleting substances and do not contain such substances.

**We reserve the right to make changes to improve technical design and may do so without further notice.**

Parameters can vary in different applications. All operating parameters must be validated for each customer application by the customer. Should the buyer use TEMIC products for any unintended or unauthorized application, the buyer shall indemnify TEMIC against all claims, costs, damages, and expenses, arising out of, directly or indirectly, any claim of personal damage, injury or death associated with such unintended or unauthorized use.

TEMIC TELEFUNKEN microelectronic GmbH, P.O.B. 3535, D-74025 Heilbronn, Germany  
Telephone: 49 (0)7131 67 2831, Fax number: 49 (0)7131 67 2423